


3/4" & 1" Steel Door Recessed Switch Set

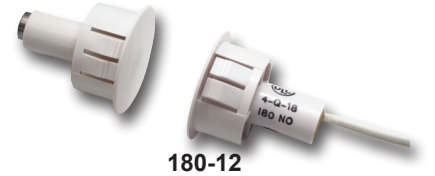
WWW.GRISK.COM



180 / 184 / 8080-T Series



- ◆ Recessed magnetic contact
- ◆ 12" #22AWG leads or screw terminals
- ◆ Longer leads, zip cord or jacketed cable upon request
- ◆ Built in E.O.L. Resistors and Diodes upon request
 - ◆ Supervisory Loops upon request
 - ◆ Colors white, brown, gray, black
 - ◆  Indicates U.L. 10C Fire Rated



180-12



184-12



8080-T

		Part Numbers			
		Closed Loop	Open Loop	SPDT	DPDT
Standard Gap up to 1/2" on steel*	3/4" Dia.	180-12	185-12	190-12	195-12
	1" Dia.	184-12	189-12	194-12	199-12
	3/4" Dia. on steel*	8080-T	8585-T		
	1" Dia.	8484-T	8989-T		
Wide Gap 3/4"+ on steel*	3/4" Dia.	180-12WG	185-12WG	190-12WG	195-12WG
	1" Dia.	184-12WG	189-12WG	194-12WG	199-12WG
	3/4" Dia. on steel*	8080-TWG	8585-TWG		
	1" Dia.	8484-TWG	8989-TWG		

7/8" Dia. also available. P/N 81-12 & 81-12WG, white or black only. Call the factory for more information.

* Gaps will increase substantially for installations other than steel.
* Gaps up to one inch on steel when paired with MC-180 Door Channel Magnet.

INSTALLATION APPLICATIONS

The GRI 180-12 is the industry standard 3/4" diameter recessed steel door switch set with 12" leads. The innovative GRI 8080-T series is a 3/4" diameter recessed switch set designed for residential, commercial and industrial doors and frames. The shorter length terminals makes the installation of the set quick and simple.

WARRANTY: Lifetime warranty against workmanship, material and factory defects.

GEORGE RISK INDUSTRIES, INC.
G.R.I. PLAZA
KIMBALL, NE 69145
WWW.GRISK.COM

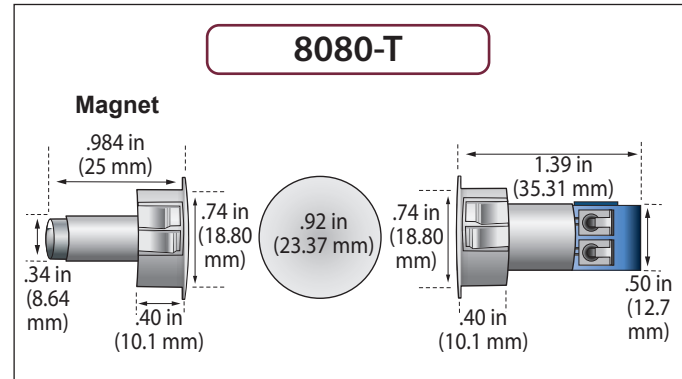
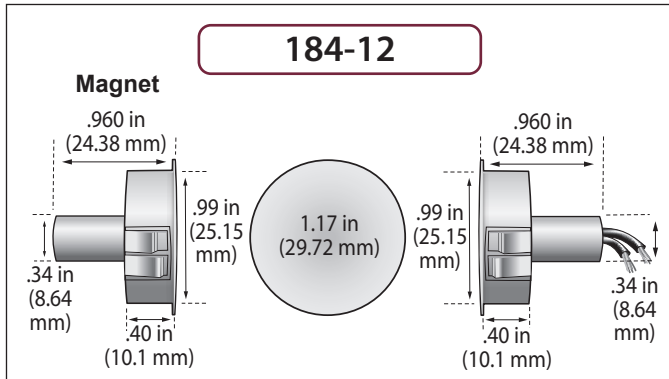


Made in U.S.A.

TOLL-FREE 1-800-445-5218
TOLL-FREE 1-800-523-1227
(308) 235-4645
FAX (308) 235-3561
E-MAIL: sales@grisk.com

3/4" & 1" Steel Door Recessed Switch Set

WWW.GRISK.COM



GRI PRODUCTS MEET OR EXCEED THESE MINIMUM GENERAL SPECIFICATIONS:

Part Number	Loop Type	Electrical Configuration	Reed Form	Maximum Initial Contact Resistance (Ω)	Maximum Contact Rating (W)	Maximum Switching Voltage (VDC)	Maximum Switching Current (A)
180-12	Closed	N/O	A	.150	10	200	.400
180-12WG	Closed	N/O	A	.150	10	200	.400
184-12	Closed	N/O	A	.150	10	200	.400
184-12WG	Closed	N/O	A	.150	10	200	.400
8080-T	Closed	N/O	A	.150	10	160	.400
8080-TWG	Closed	N/O	A	.150	10	160	.400
8484-T	Closed	N/O	A	.150	10	160	.400
8484-TWG	Closed	N/O	A	.150	10	160	.400
185-12	Open	N/C	B	.140	5	175	.250
185-12WG	Open	N/C	B	.140	5	175	.250
189-12	Open	N/C	B	.140	5	175	.250
189-12WG	Open	N/C	B	.140	5	175	.250
8585-T	Open	N/C	B	.140	5	175	.250
8585-TWG	Open	N/C	B	.140	5	175	.250
8989-T	Open	N/C	B	.140	5	175	.250
8989-TWG	Open	N/C	B	.140	5	175	.250
190-12	Open/Closed	SPDT	C	.140	5	175	.250
190-12WG	Open/Closed	SPDT	C	.140	5	175	.250
194-12	Open/Closed	SPDT	C	.140	5	175	.250
194-12WG	Open/Closed	SPDT	C	.140	5	175	.250
195-12		DPDT	Cx2	.140	5	175	.250
195-12WG		DPDT	Cx2	.140	5	175	.250
199-12		DPDT	Cx2	.140	5	175	.250
199-12WG		DPDT	Cx2	.140	5	175	.250

WARRANTY: Lifetime warranty against workmanship, material and factory defects.

GEORGE RISK INDUSTRIES, INC.
G.R.I. PLAZA
KIMBALL, NE 69145
WWW.GRISK.COM



TOLL-FREE 1-800-445-5218
TOLL-FREE 1-800-523-1227
(308) 235-4645
FAX (308) 235-3561
E-MAIL: sales@grisk.com